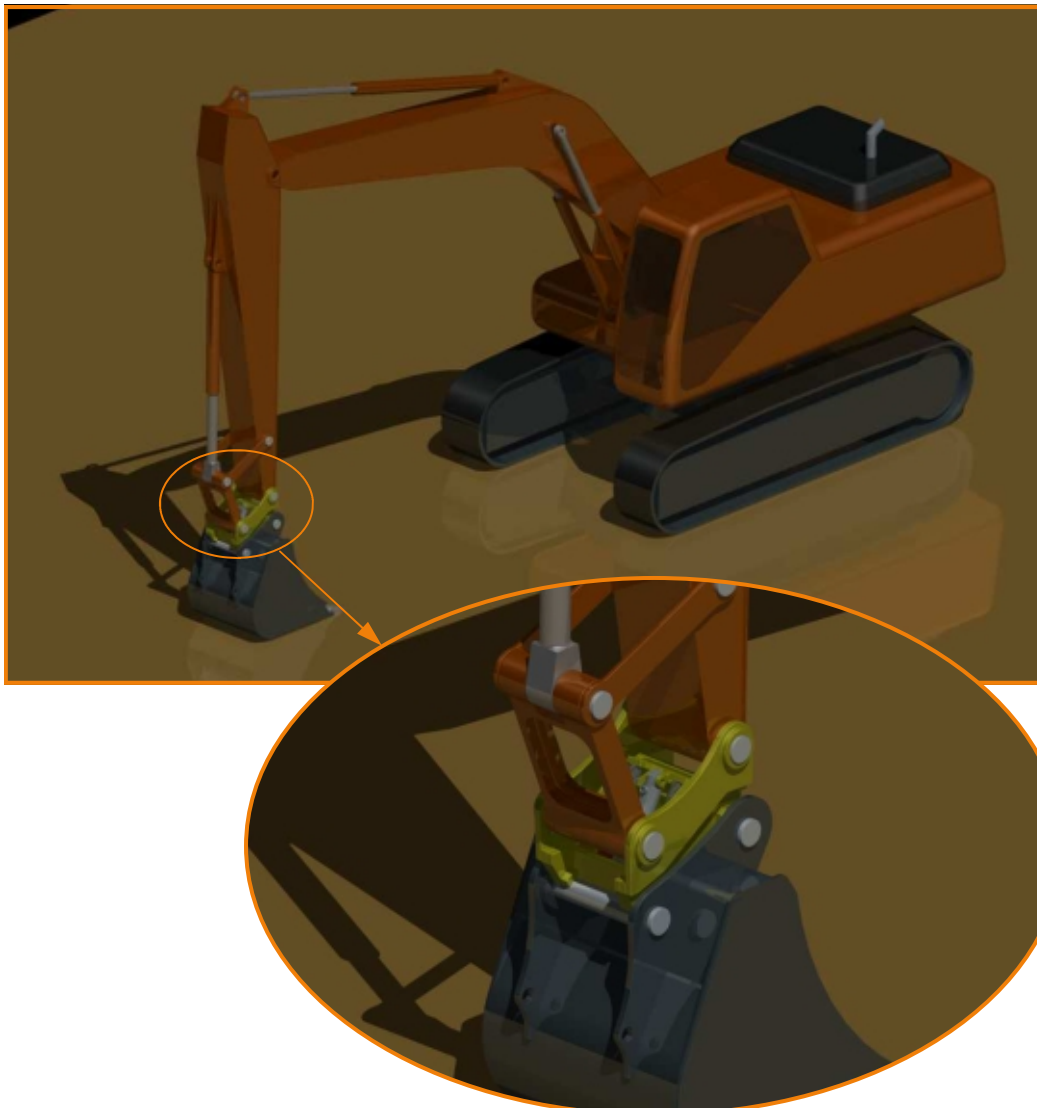


# Hydraulic Quick Couple HQC-420

---

- ▶ For excavators and back-hoe loaders
- ▶ Cover machine range from 2 tonnes up to 34 tonnes
- ▶ You can use it with standard bucket, i.e. NO NEED FOR ADDITIONAL PLATES
- ▶ Saving your time and energy

- ▶ Design
- ▶ Production
- ▶ Consulting

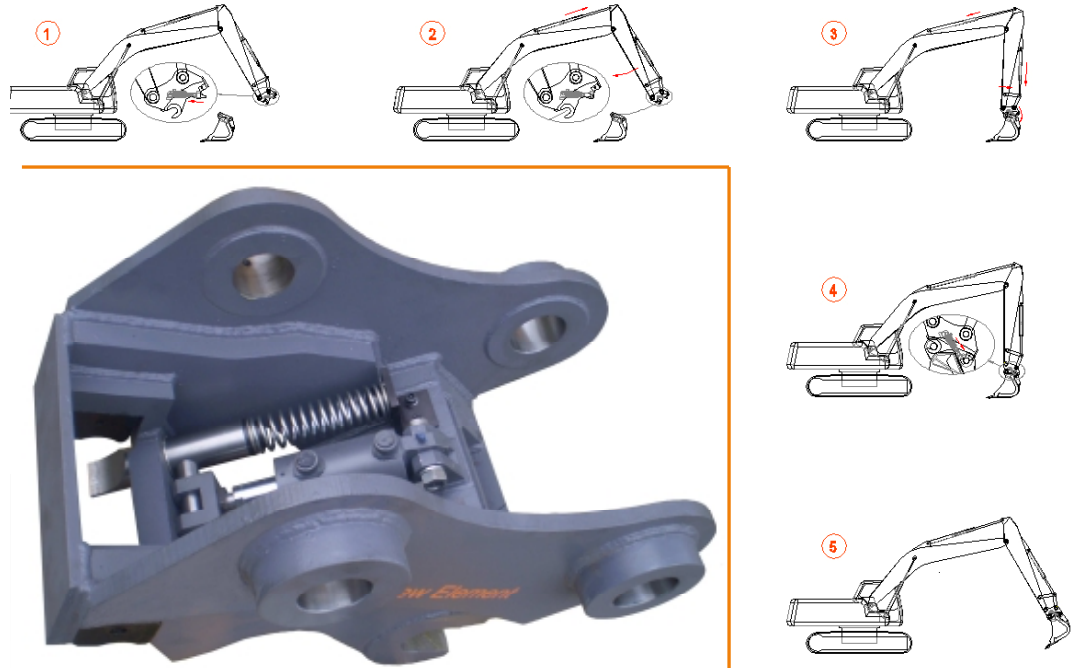


---

Save your time

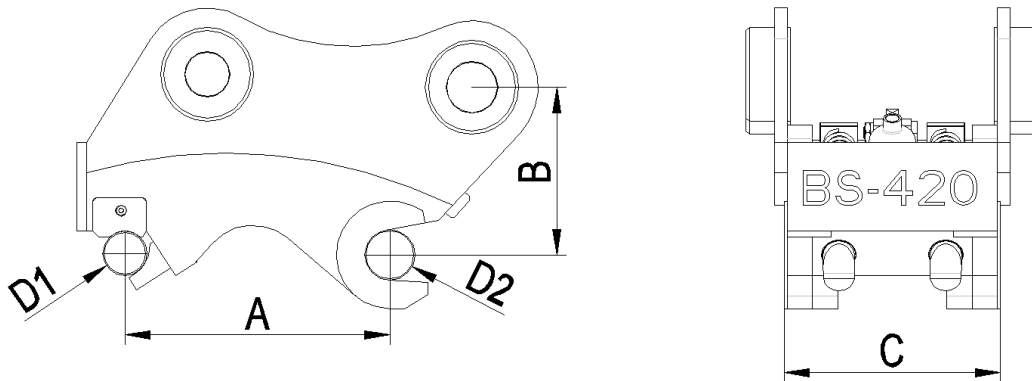
---

# Hydraulic Quick Couple



► Change your machine tool in 5 steps

Save your time



	HQS 180	HQS 220	HQS 280	HQS 350	<b>HQS 420</b>	HQS 550
Length A [mm]	180	220	280	350	<b>420</b>	550
Hight B [mm]	100	120	160	190	<b>220</b>	250
Width C [mm]	200	250	290	340	<b>400</b>	520
Diameter D1 [mm]	40	50	60	70	<b>80</b>	90
Diameter D2 [mm]	40	50	60	70	<b>80</b>	90
Weight [kg]	28	50	60	130	<b>220</b>	320
Basic machine weight [kg]	2-6	6-12	6-12	12-16	<b>16-22</b>	22-34
Maximum pressure [MPa]	21	21	21	21	<b>21</b>	21